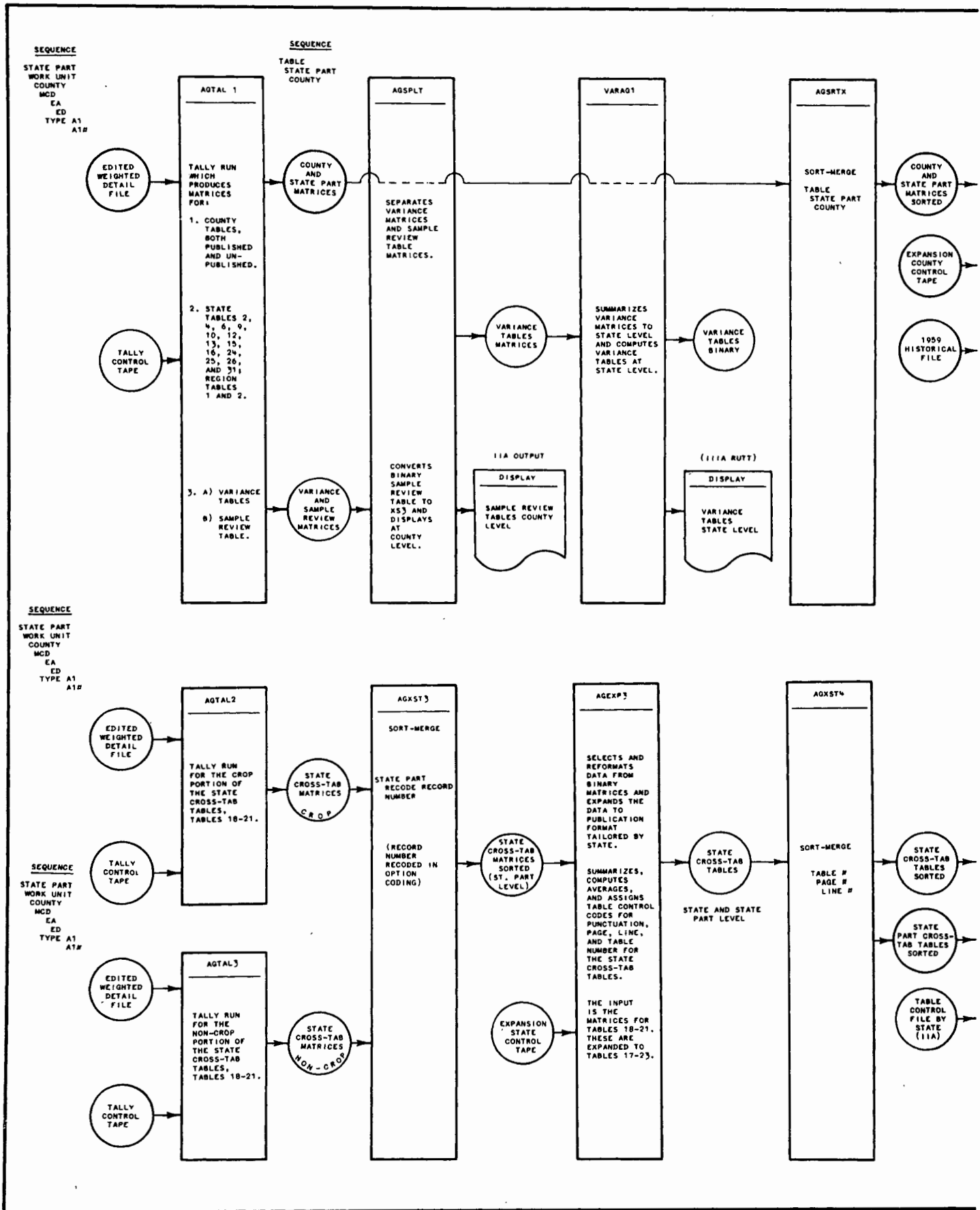
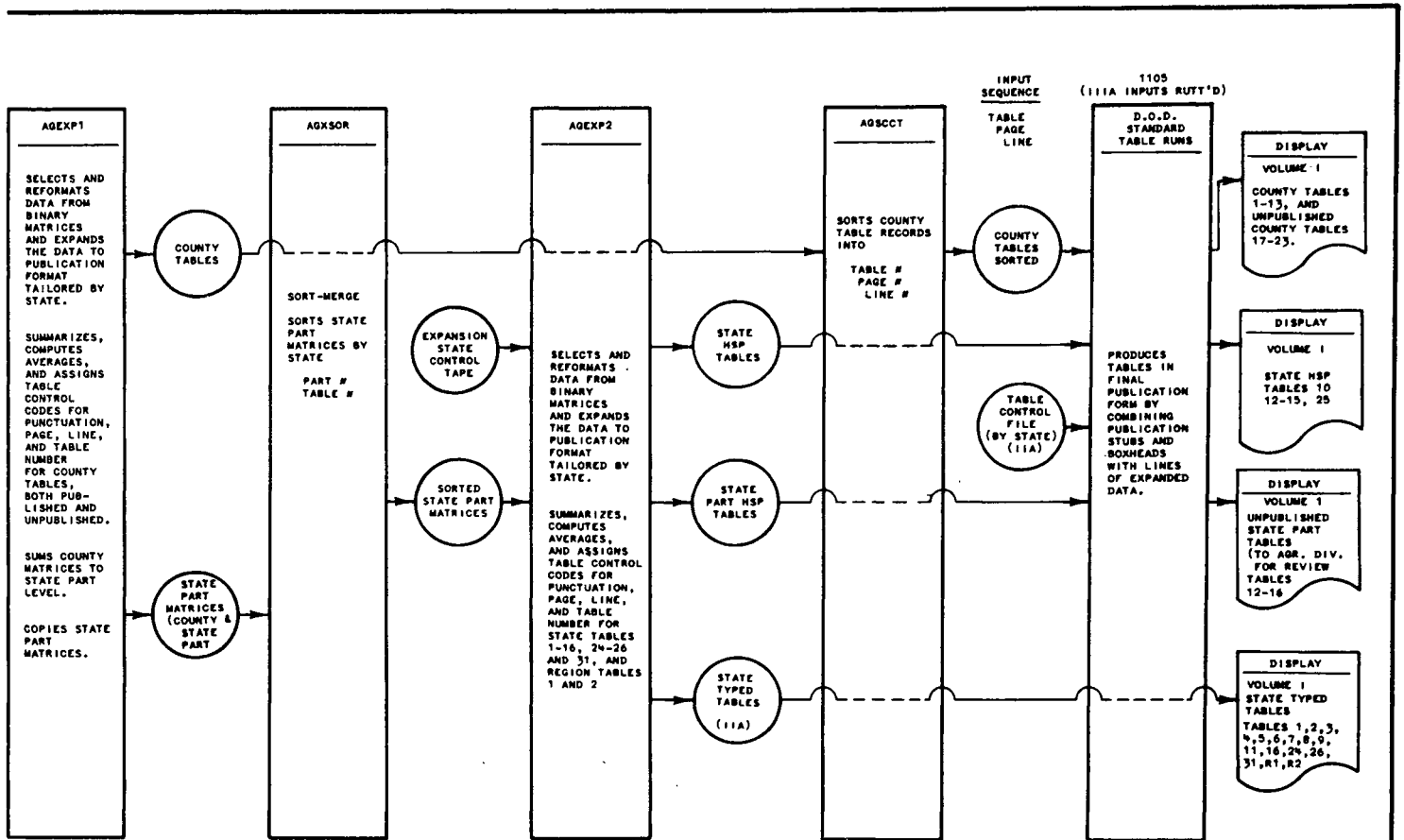


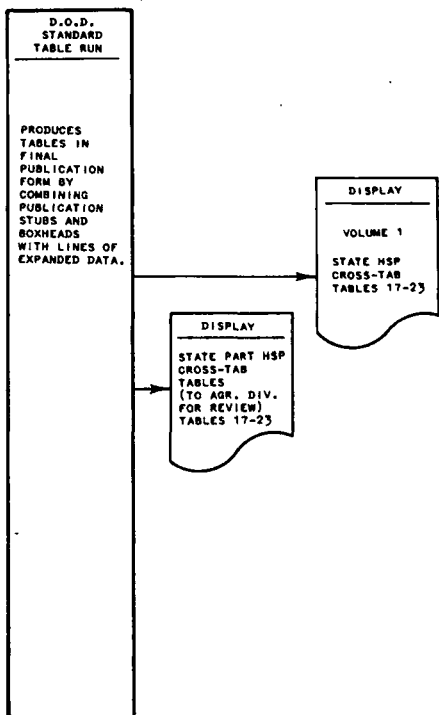
Figure 4. TALLIES THROUGH



TABLES SEQUENCE (FLOW CHART)



1105 (111A INPUTS RUTT'D)



FUNCTIONS OF EXPANSION PROGRAMS

1. SELECTS TALLIES FROM COMPOSITE MATRICES.
2. BUILDS FROM INPUT MATRIX PIECES THE OUTPUT TABLE RECORDS.
3. ARRANGES DATA IN PUBLICATION SEQUENCE, I.E., TABLE, PAGE, LINE, COUNTY.
4. SUMMARIZES DATA, I.E., DISTRIBUTION TOTALS, ITEM TOTALS, STATE TOTALS.
5. CALCULATES AVERAGES AND PROPORTIONS.
6. CALCULATES VALUES USING INVENTORY AND/OR SALES PRICES AND VARIOUS CONVERSION FACTORS REQUIRED BY TABLES (MILK, FIGS, ETC.)
7. ADDS 1959 HISTORICAL DATA WHERE APPLICABLE.
8. DETERMINES PAGE BREAKS USING PAGINATION PARAMETERS.
9. ASSIGNS TABLE CONTROL CODES FOR PUNCTUATION, PAGE, LINE, TABLE, ETC.
10. ALL OF ABOVE FUNCTIONS VARY BY STATE.

- 1 EXPANSION COUNTY CONTROL.--THIS TAPE CONTAINS A FILE FOR EACH STATE. EACH FILE CONTAINS THE FOLLOWING DATA:
 - (1) TRUE COUNTY CODES
 - (2) PSEUDO COUNTY CODES
 - (3) HISTORICAL CONVERSION FACTORS
 - (4) MILK CONVERSION FACTORS
 - (5) TALLY MATRIX CONTROL BITS
 - (6) EXPANSION INPUT CONTROL
 - (7) EXPANSION OUTPUT CONTROL
 - (8) PAGINATION PARAMETERS
- 2 EXPANSION STATE CONTROL.-- THIS TAPE CONTAINS A FILE FOR EACH STATE. EACH FILE CONTAINS THE FOLLOWING DATA:
 - (1) NUMBER OF STATE PARTS
 - (2) TALLY MATRIX CONTROL BITS
 - (3) EXPANSION CONTROL FACTORS
 - (4) INVENTORY PRICES
- 3 TALLY CONTROL TAPE.-- THIS TAPE CONTAINS A FILE FOR EACH STATE. EACH FILE CONTAINS THE FOLLOWING DATA:
 - (1) COUNTY AND PSEUDO COUNTY CODES
 - (2) SALES PRICES FOR EACH STATE